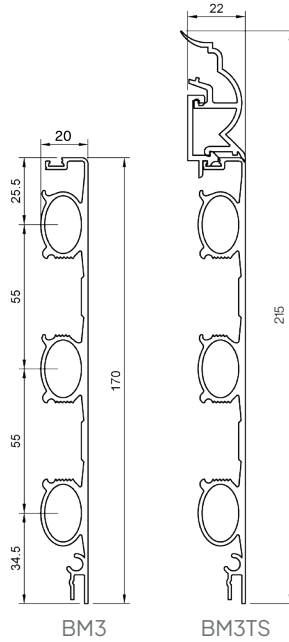
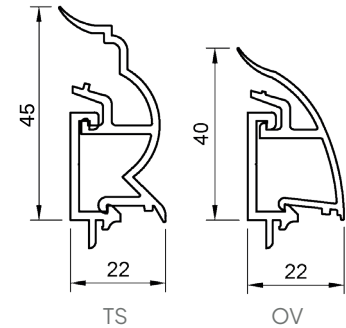


TECHNICAL DATA SHEET

PROFILE DETAILS



OPTIONAL PROFILE CAPPING



THERMAL PERFORMANCE

The listed temperatures are mean water temperature at the skirting, with the calculated outputs factored on the BSRIA Test 51397-1.

Flow rate is assumed to be **56-80g/m/s**

Outputs are per linear metre

Temperature (°C)	Heat Output (W/m)
35	58
40	73
45	90
50	105
55	119
60	140
65	166
70	197
75	215

SKIRTING SPECIFICATION

Material:	Aluminium Polymer Alloy	Standard Colour (s):	Cricket White (RAL 9010) Vintage Ivory (RAL 1013)
Finish:	Double Epoxy Powder Coat	To Order:	Carbon Black (RAL 9011) Antracite Grey (RAL 7016)
Standard Length (s):	1.5m, 3.0m & 4.5m	Weight:	2.04kg/m
To Order:	6.0m & Made to measure	Water Capacity:	0.72kg/m
Connector (s):	Oval - 10mm (12mm EU/USA) Oval - 15mm (16mm EU/USA) TRV/Lockshield Kit - 15mm (16mm EU/USA)	Pressure Drop:	0.0016 bar @ 0.055kg/s/m
Max Length:	15-20m (per 15/16mm feed) 12-15m (per 10mm feed)	Operating Pressure:	Typically 1.5-3 bar
Mounting Method:	Bracket Provided 1 per meter	Testing Pressure:	Typically 10 bar

APPROVALS & WARRANTY

CE Marked to BS EN 442-1 | BSRIA (UK) | KTH (Germany -TUV) | TSE (Turkey) | 10 Year wet parts warranty

Warning: ThermaSkirt is an aluminium based radiant heating system. Aluminium is susceptible to corrosion when filled with water that is not suitably treated or has a high or low pH value. The system must be pressure tested with air, or temporarily with water and drained. Central heating systems should never be left filled with untested or untreated water for extended periods of time. pH levels need to be maintained between 6.8 & 8.3. Base exchanged softened water should not be used. Failure to provide suitably treated and/or pH stabilised water will invalidate the terms of our warranty. Please see **BS 7593** (Treatment of water in central heating systems) or **EN 14336** or **VDI 2035**.